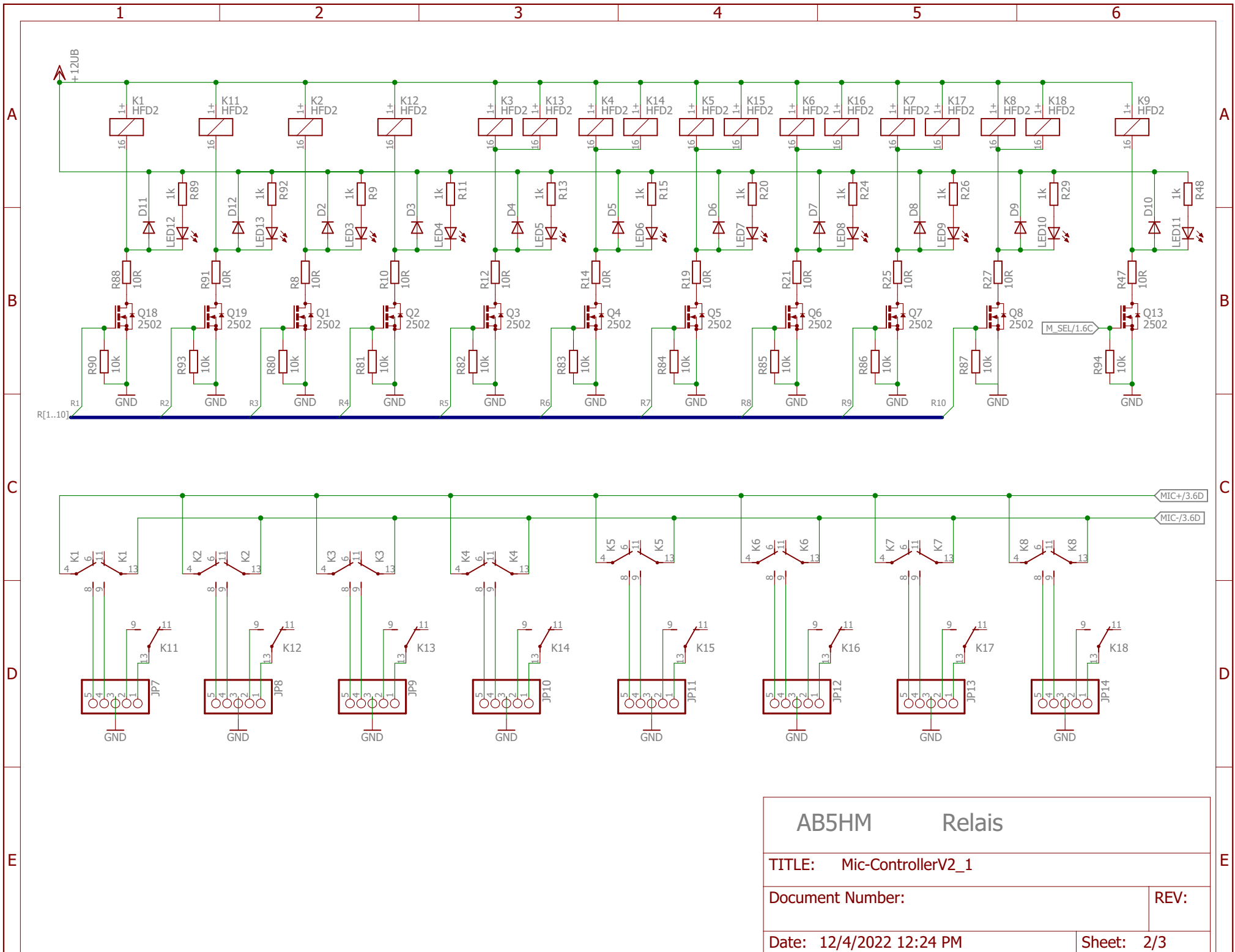


AB5HM Power & Controller	
TITLE: Mic-ControllerV2_1	
Document Number:	REV:
Date: 12/4/2022 12:24 PM	Sheet: 1/3



AB5HM Relais

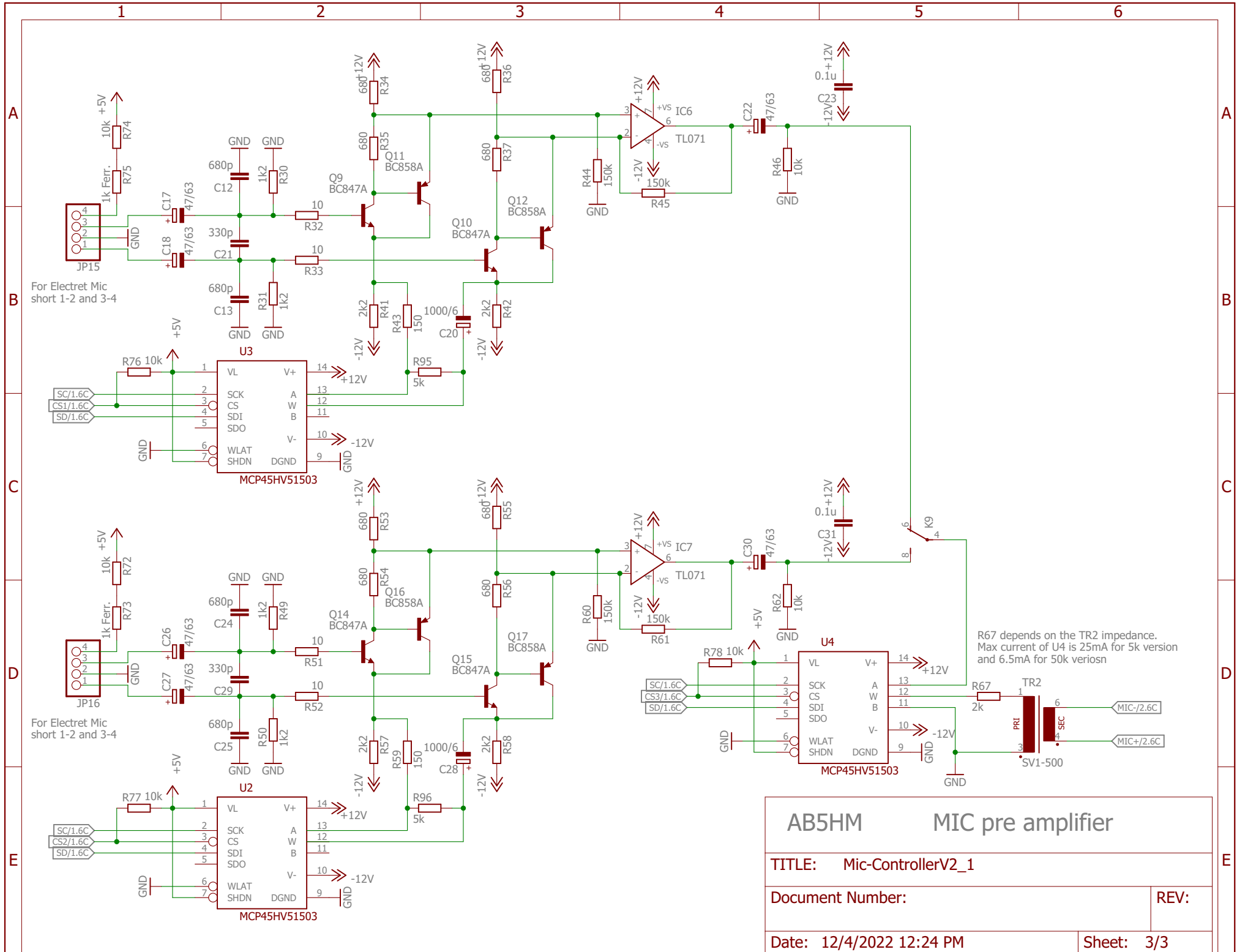
TITLE: Mic-ControllerV2_1

Document Number:

REV:

Date: 12/4/2022 12:24 PM

Sheet: 2/3



For Electret Mic short 1-2 and 3-4

For Electret Mic short 1-2 and 3-4

R67 depends on the TR2 impedance. Max current of U4 is 25mA for 5k version and 6.5mA for 50k version

AB5HM MIC pre amplifier	
TITLE: Mic-ControllerV2_1	
Document Number:	REV:
Date: 12/4/2022 12:24 PM	Sheet: 3/3