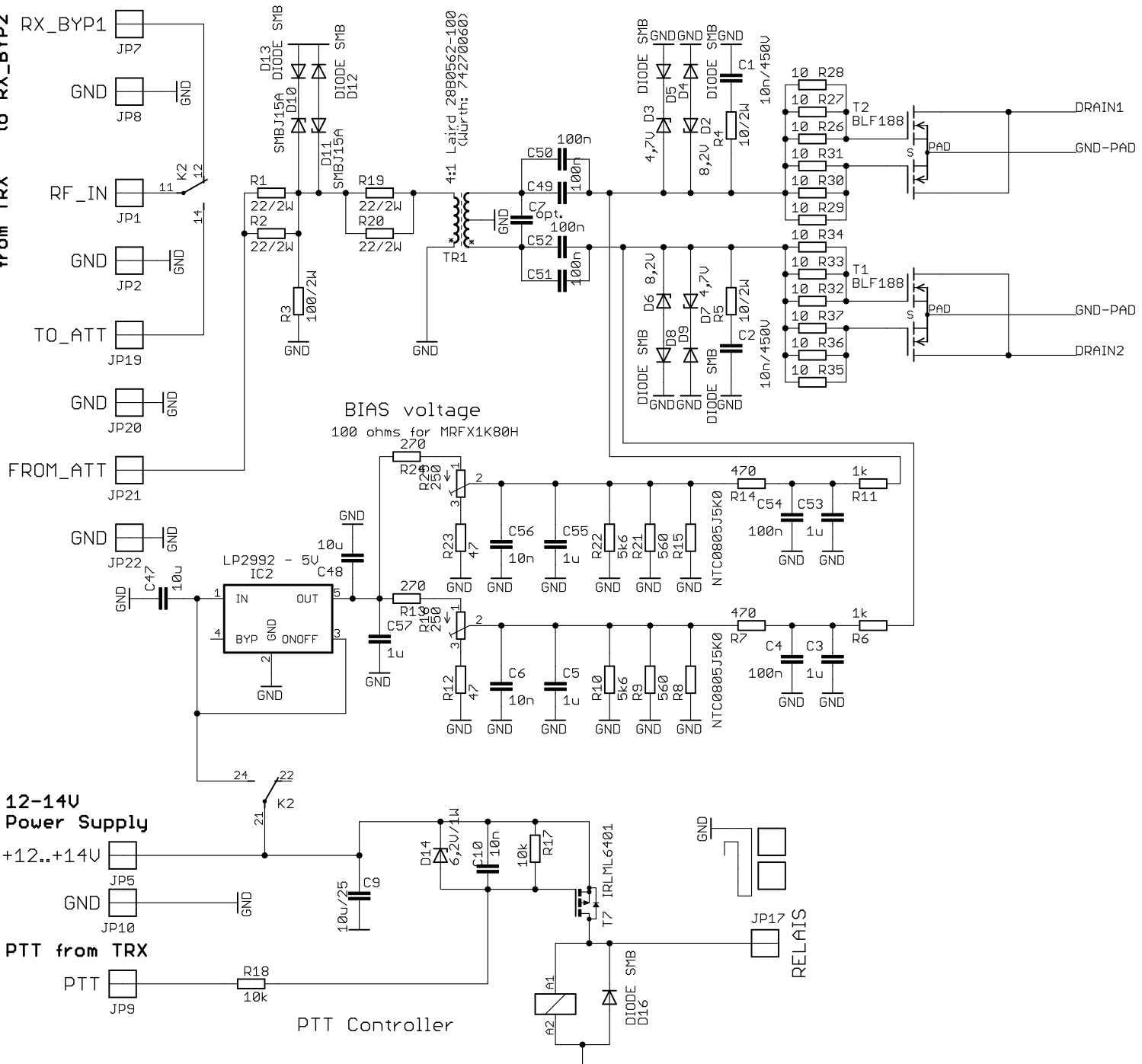


1kW Short Wave Power Amp.
 DJ0ABR V2.0 (www.dj0abr.de)
 Input Circuit

RX-Bypass:
 connect with RG316
 to RX_BYP2

RF-INPUT
 from TRX



1kW Short Wave Power Amp.
 DJ0ABR V2.0 (www.dj0abr.de)
 Output Circuit

